

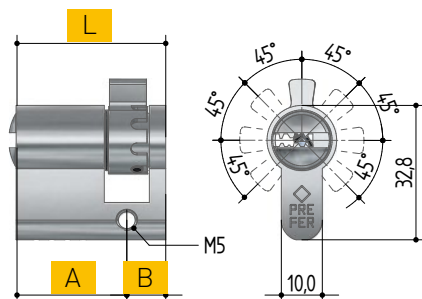


**MEZZO CILINDRO A PROFILO EUROPEO PER SELETTORI , LEVA REGOLABILE**

*HALF EUROPEAN PROFILE CYLINDER FOR KEY SWITCH, ADJUSTABLE CAM*

*DEMY-CYLINDRE AVEC PROFIL EUROPÉEN POUR BÔÎTE A CLÈ , CAME RÉGABLE*

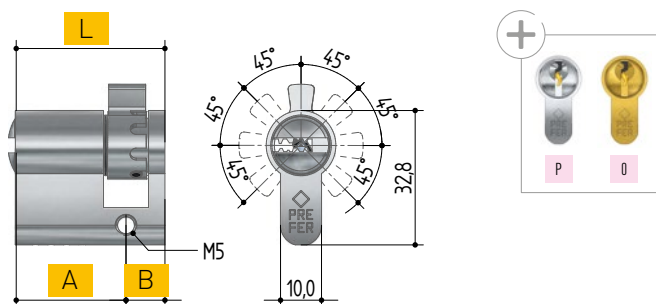
*MEDIO-CILINDRO DE PERFIL EUROPEO PARA TAQUILLAS, LEVA AJUSTABLE*



**WE5S**



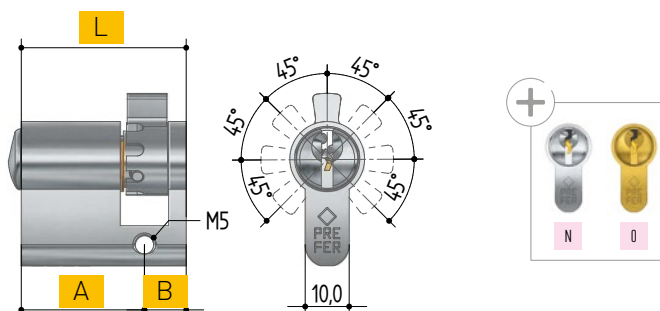
| codice   code   code   código |   |   |   |   |   |   |   |   |    |    |    |    |    | L  | A  | B  |   |           |   | MIN | ORD |
|-------------------------------|---|---|---|---|---|---|---|---|----|----|----|----|----|----|----|----|---|-----------|---|-----|-----|
| 1                             | 2 | 3 | 4 | 5 | 6 | 7 | 8 | 9 | 10 | 11 | 12 | 13 | 14 | mm | mm | mm |   |           |   |     |     |
| W                             | E | 5 | S | • | 3 | 1 | 1 | 0 | •  | 2  | 5  | 0  | 2  | 41 | 31 | 10 | 9 | 7300.2B00 | - | -   | 10  |



**UE5P**



| codice   code   code   código |   |   |   |   |   |   |   |   |    |    |    |    |    | L  | A  | B  |   |           |    | MIN | ORD |
|-------------------------------|---|---|---|---|---|---|---|---|----|----|----|----|----|----|----|----|---|-----------|----|-----|-----|
| 1                             | 2 | 3 | 4 | 5 | 6 | 7 | 8 | 9 | 10 | 11 | 12 | 13 | 14 | mm | mm | mm |   |           |    |     |     |
| U                             | E | 5 | P | • | 2 | 7 | 1 | 0 | •  | 2  | 5  | 0  | 2  | 37 | 27 | 10 | 4 | 7300.2A00 | 50 | 1   | 10  |
| U                             | E | 5 | P | • | 3 | 1 | 1 | 0 | •  | 2  | 5  | 0  | 2  | 41 | 31 | 10 | 6 | 7300.2B00 | 50 | 1   | 10  |



**6A5N**



| codice   code   code   código |   |   |   |   |   |   |   |   |    |    |    |    |    | L  | A  | B  |   |           |     | MIN | ORD |
|-------------------------------|---|---|---|---|---|---|---|---|----|----|----|----|----|----|----|----|---|-----------|-----|-----|-----|
| 1                             | 2 | 3 | 4 | 5 | 6 | 7 | 8 | 9 | 10 | 11 | 12 | 13 | 14 | mm | mm | mm |   |           |     |     |     |
| 6                             | A | 5 | N | • | 3 | 0 | 1 | 0 | •  | 2  | 2  | 0  | 0  | 40 | 30 | 10 | 5 | 7100.2400 | 100 | 10  | 10  |