



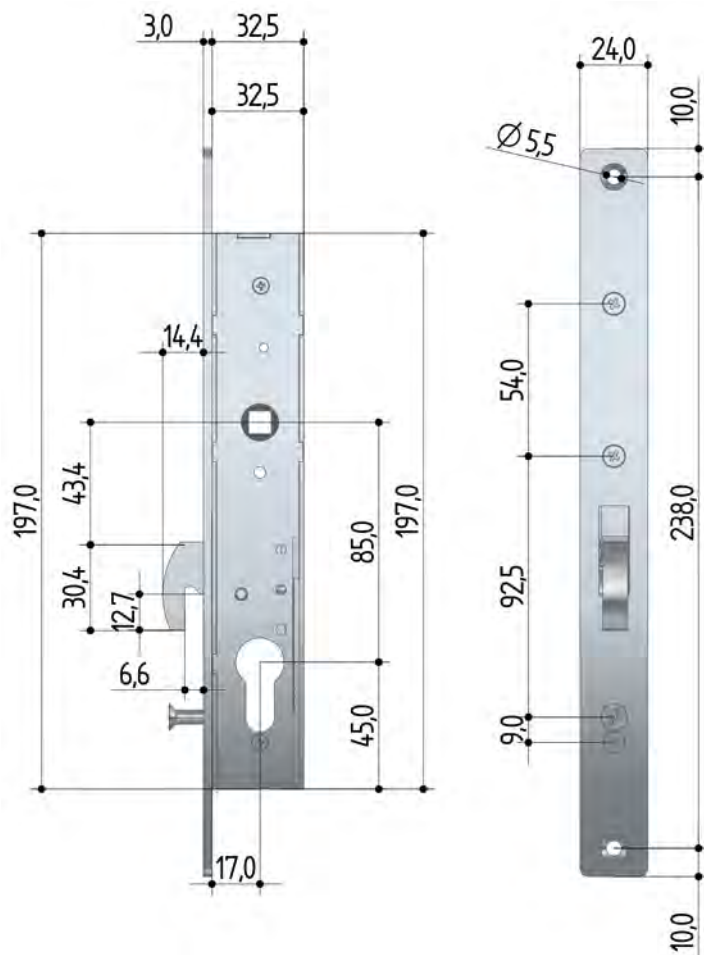
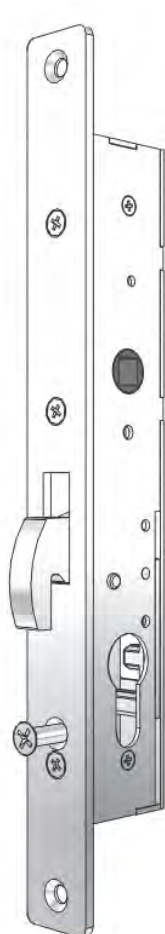
# 5602

## SERRATURE PER GRATE E SCORREVOLI

LOCKS FOR GRATES AND SLIDING

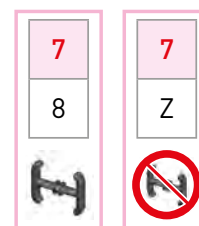
SERRURES POUR COULISSANTS ET GRILLES

SERRADURAS PARA CORREDERAS Y REJILLAS



# 5602

codice   code   código																MIN ORD
1	2	3	4	5	6	7	8	9	10	11	12	13	14			
5	6	0	2	•	0	8	1	Z	•	0	0	0	0	40	10	10



**Z** Senza cilindro  
Without cylinder  
Sans cylindre  
Sin cilindro